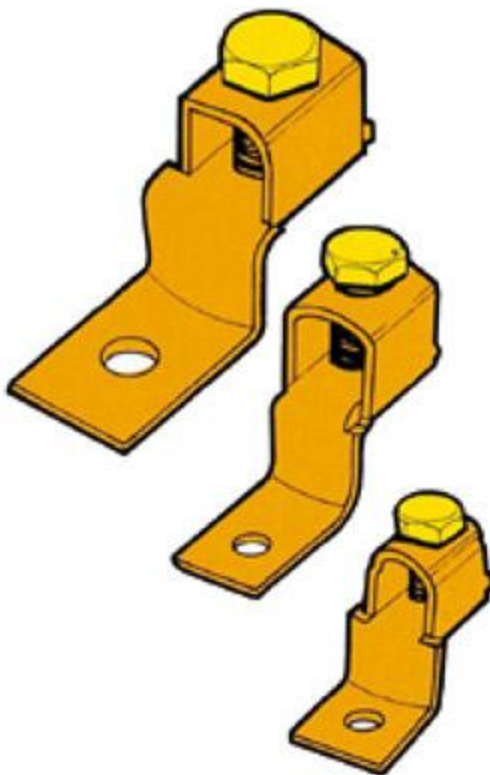
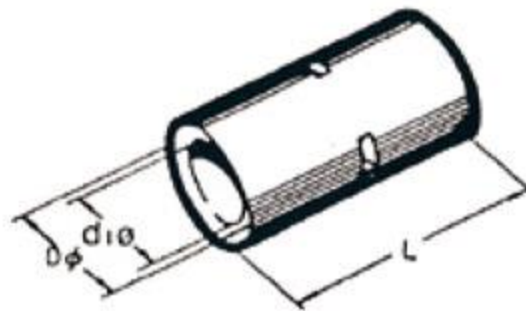


Solderless Lugs

ITEM NO.	Ampere Rating(A)	Wire Range					Number in mm ²
		mm					
SA-25	25	2	5.5				
SA-35	35-50	2	5.5	8	14		
SA-70	70-90	8	8	14	22		
SA-125	125	5.5	14	22	38	60	
SA-175	175	38	60	70	80		
SA-225	225	38	60	70	80	100	
SA-300	300	60	80	100	150		
SA-400	400	80	100	150	180	200	

Non Insulated Butt Connectors (Type B&C)



ITEM NO.	WIRE RANGE		Dφ	d1φ	L
	AWG/MCM	mm ²			
B1.25	22-16	0.25-1.65	3.3	1.9	16.5
B2	16-14	1.04-2.63	4.0	2.6	16.5
B3.5	12-10	2.63-4.6	5.0	3.7	16.5
B5.5	12-10	2.36-6.64	5.5	3.7	16.5
B8	8	6.64-10.52	7.1	5.1	22.5
B14	6	10.52-16.78	9.0	6.4	27.5
B22	4	16.78-26.66	11.4	8.2	30.5
B38	2	26.66-42.42	13.3	10.1	33.5
B60	1/0	42.42-60.57	15.4	12.0	36.0
B70	2/0	60.57-76.28	17.5	14.1	38.5
B80	3/0	76.28-96.3	19.4	15.4	39.5
B100	4/0	96.3-117.2	22.0	17.6	39.5
B150	250-300	117.2-152.05	26.0	20.9	55.5
B180	300-350	152.05-192.6	28.5	22.9	58.5
B200	400	192.6-242.27	32.5	25.7	64.5
B325	500-600	242.27-325	37.0	29.0	73.5

ITEM NO.	mm ²	d1φ	Dφ	L
L1.5	1.5	2.6	4.0	20
L2.5	2.5	2.6	4.0	23
L4	4.0	3.0	4.5	25
L6	6.0	4.0	5.5	30
L10	10.0	4.4	6.0	30
L16	16.0	5.4	7.0	40
L25	25.0	6.7	8.5	45
L35	35.0	8.2	10.5	45
L50	50.0	9.7	12.4	45
L70	70.0	11.6	14.6	50
L95	95.0	14.2	17.4	50
L120	120.0	15.0	19.0	55
L150	150.0	17.0	21.0	60
L185	185.0	19.0	23.5	65
L240	240.0	21.5	26.5	80
L300	300.0	24.0	30.0	85
L400	400.0	29.5	36.5	90
L500	500.0	31.0	38.5	100
L630	630.0	35.5	43.5	110
L800	800.0	39.0	50.6	150
L1000	1000.0	43.0	56.2	170