
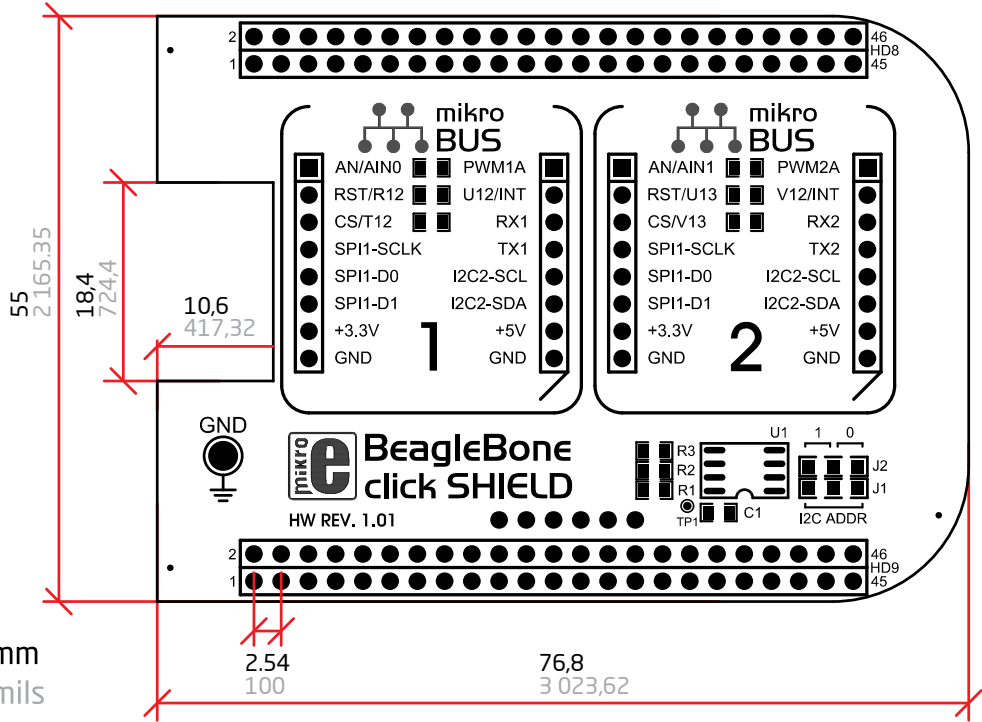
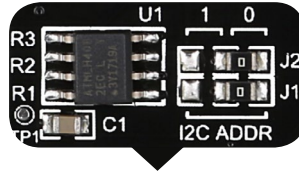


# BeagleBone click™ shield - dimensions

## Legend

-  mm
-  mils





## Note

The BeagleBone click shield has an **EEPROM** module for storing pin configuration data. Initially the shield is configured with a blank EEPROM. The default address for the EEPROM is 0x54. You can change it to addresses 0x54 - 0x57 with the selection of the two address jumpers. They are Labeled A0 and A1. To write to EEPROM, use the onboard TP1 pin (which needs to be connected to GND).