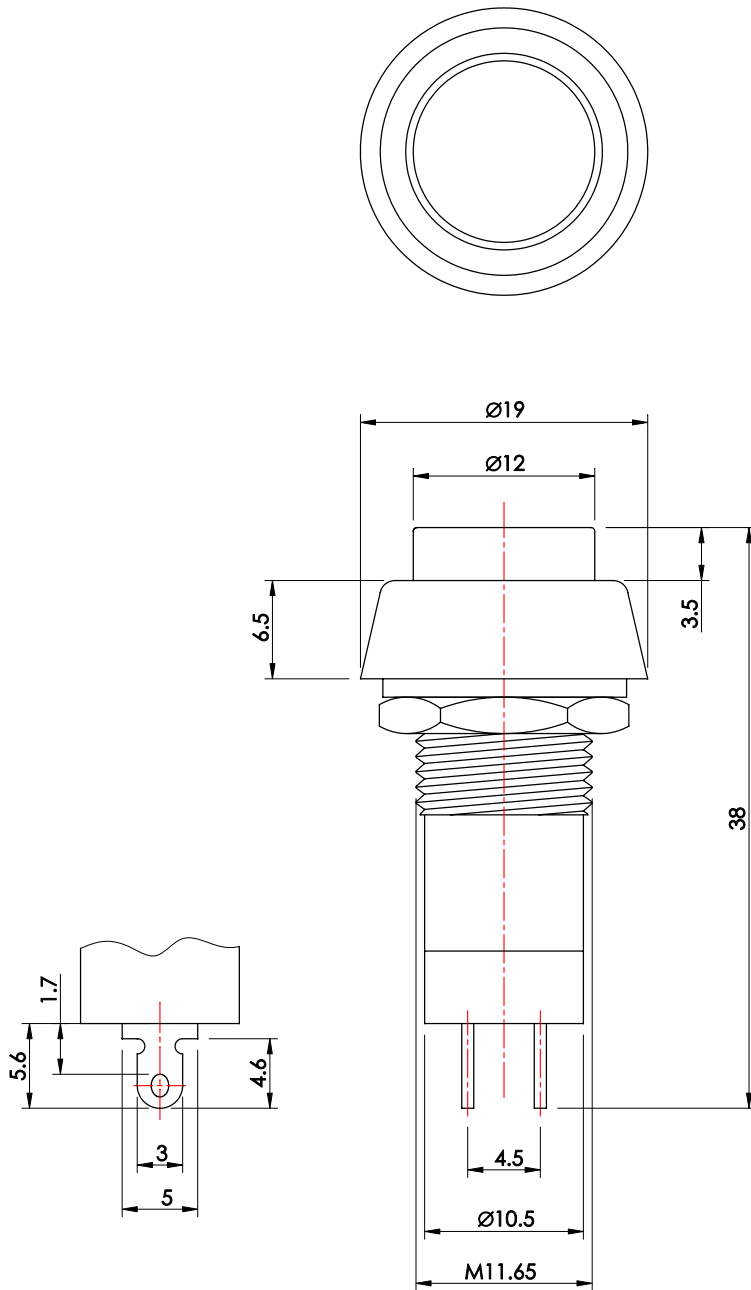


本圖面若與目錄之規格尺寸不符，以本圖面規格尺寸為主。
Below is our main specification if different from catalog.



CONTACT AND TERMINAL MATERIAL		NUTS & WASHER	
<input type="checkbox"/>	Silver plated	<input type="checkbox"/>	Separate packing
R	Gold plated	1	Fixed on S/W

PB-10XXXX-G

FUNCTION		BUTTON COLOR	
A	OFF - ON	R	(Red)
B	OFF -(ON)	Y	Yellow
		O	Orange
		B	Black
		GN	Green
		W	White
		BU	Blue

RoHS compliant

(): Standard

SPECIFICATION

- Rating: 3A 125V AC/1A 250V AC.
- Function: OFF-ON.
- Contact resistance: 30mΩ Max.(initial)
- Insulation resistance: 100MΩ Min. at 500V DC
- Withstand voltage: 1,000V AC for 1 minute.
- Electrical life: 5,000 Cycles.
- Mechanical life: 10,000 Cycles.
- Operating force: >0.3kg.
- Minimum load: 100mA 10V DC.(reference only)
- Terminal material: Copper alloy, Silver plated.
- Soldering temperature: 240°C Max. for 3 sec.
- Note: Unwashable, don't be immersed by epoxy and organic solvent.

產品 PRODUCT		Pushbutton Switch		型號 MODEL NO.		PB-10AGN1-G	
比例 SCALE	2 : 1	單位 UNIT	mm	<p>一綺電子企業股份有限公司 總公司：110 台北市信義路四段415號12樓之2 12F-2 NO. 415, SEC. 4, HSIN YI ROAD, TAIPEI, TAIWAN TEL : 886-2-27290229 (Rep.) FAX : 886-2-27582086 URL : http://www.switronic.com.tw E-MAIL : switches@ms36.hinet.net</p>			
公差 TOLERANCE	.X=±0.3mm, .XX=±0.2mm						
製圖 DRAWN BY	核圖 CHECKED BY	主管 APPROVED BY					
Chuck Young	Alex Lin	Margaret Lee					

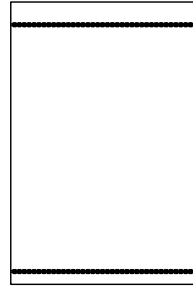
一綺電子企業股份有限公司

SWITRONIC INDUSTRIAL CORP.

入料包裝方式 Packing for Products

袋裝方式 Packing for polybag

成品
Products



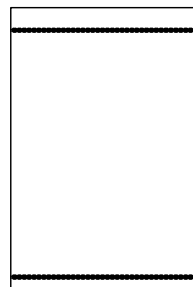
PE袋熱封
Sealed for PE-bag

Packing for polybag : 100 pcs / polybag , Quantity thickness for polybag : 0.08 mm.

Quantity desiccating agent : 1 pcs , Quantity Styrofoam board : 0 pcs.

袋裝方式 Packing for polybag

成品
Products



PE袋
PE-bag

Packing for polybag : _____ pcs / polybag.

Quantity thickness for polybag : _____ mm , Quantity desiccating agent : _____ pcs.