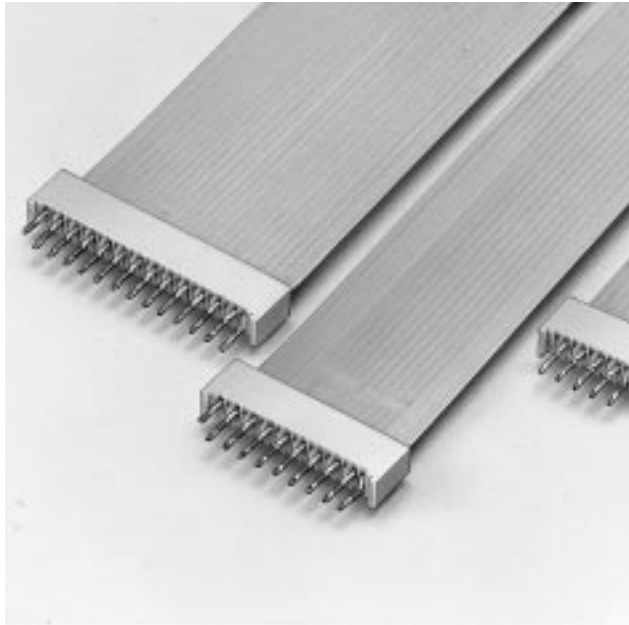
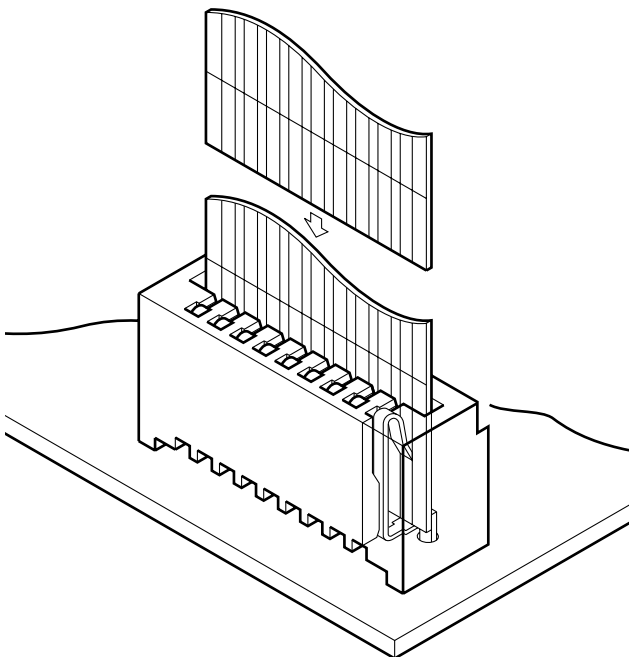


# FE CONNECTOR

Connectors for FFC and FPC



*The FE connector ensures easy, secure connection of flexible flat cables (FFC) and flexible printed circuits (FPC). This compact connector is 4.8mm (.189") wide, 7.5mm (.295") high, and provides high contact pressure even though little force is required for insertion. The result is smooth insertion and reliable contact performance. The connector is useful in making personal computers, VCRs and car stereo systems smaller and lighter.*



## Features

- **Low insertion force and high contact pressure**  
FFC and FPC leads can be inserted with little spring force, yet the contact pressure is high once they are inserted.
- **Snap-in connection**  
FFC and FPC leads are secure after being gently inserted in the connector.
- **Temporary board retention feature**  
The contact's solder dip section has a retention mechanism that allows the connector to be temporarily mounted on the printed circuit board and prevents the connector from floating when soldered.
- **Flux is not a problem**  
The contact is processed to prevent flux from adhering to the bottom, thus helping ensure a proper connection.

## Specifications

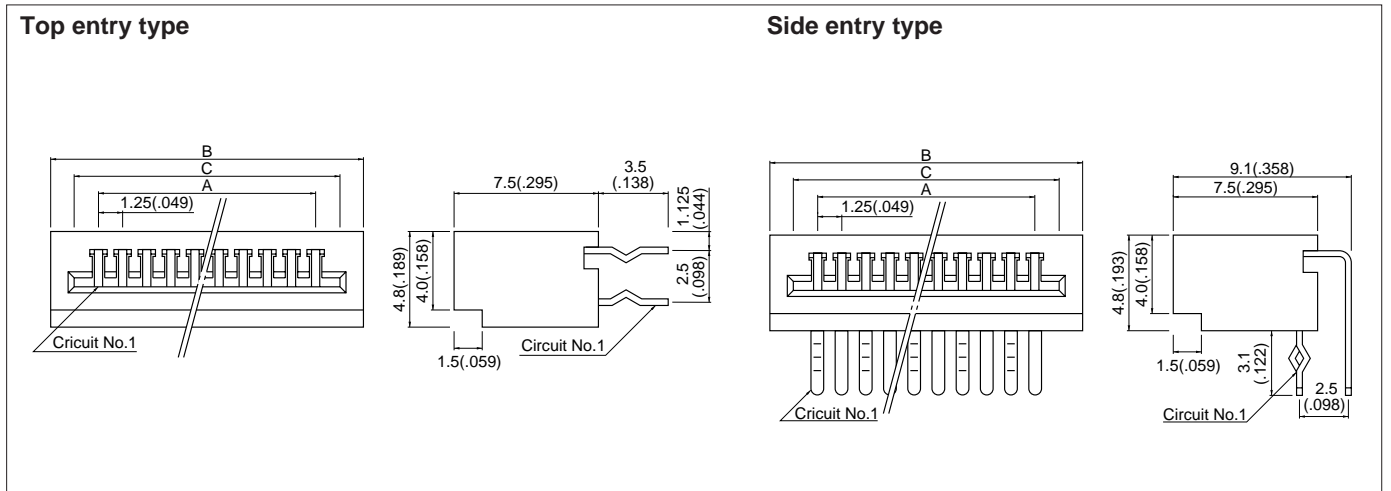
- Current rating: 1.0A AC, DC
  - Voltage rating: 200V AC, DC
  - Temperature range: -25°C to +85°C  
(including temperature rise in applying electrical current)
  - Contact resistance: Initial value/20mΩ max.  
After environmental testing/30mΩ max.
  - Insulation resistance: 1,000MΩ min.
  - Withstanding voltage: 500V AC/minute
  - Applicable FFC and FPC: Lead pitch/1.25mm(.049")  
Note: Lead width/0.8mm(.031")  
Mating part thickness/  
0.3±0.05mm(.012" ±.002)
- Note: These are reference values. FFC/FPC to be actually used should be checked for applicability.
- Applicable PC board thickness: 1.2 to 1.6mm(.047" to .063")
- \* Contact JST for details.

## Standards

Recognized file No. E60389

Certified file No. LR20812

## Connector



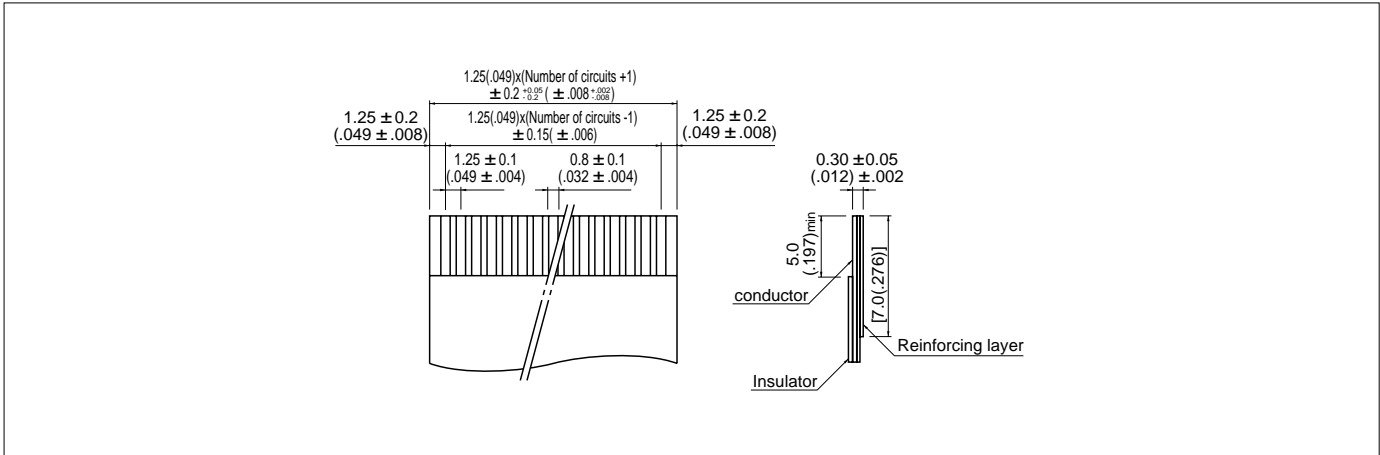
Circuits	Model No.		Dimensions mm(in.)			Q'ty / box	
	Top entry type	Side entry type	A	B	C	Top entry type	Side entry type
4	04FE-BT-VK-N	04FE-ST-VK-N	3.75( .148)	7.75( .305)	6.35( .250)	2,350	1,410
5	05FE-BT-VK-N	05FE-ST-VK-N	5.00( .197)	9.80( .386)	7.60( .299)	2,000	1,200
6	06FE-BT-VK-N	06FE-ST-VK-N	6.25( .246)	11.05( .435)	8.85( .348)	1,800	1,080
7	07FE-BT-VK-N	07FE-ST-VK-N	7.50( .295)	12.30( .484)	10.10( .398)	1,600	960
8	08FE-BT-VK-N	08FE-ST-VK-N	8.75( .344)	13.55( .533)	11.35( .447)	1,500	900
9	09FE-BT-VK-N	09FE-ST-VK-N	10.00( .394)	14.80( .583)	12.60( .496)	1,350	810
10	10FE-BT-VK-N	10FE-ST-VK-N	11.25( .443)	16.05( .632)	13.85( .545)	1,250	750
11	11FE-BT-VK-N	11FE-ST-VK-N	12.50( .492)	17.30( .681)	15.10( .594)	1,150	690
12	12FE-BT-VK-N	12FE-ST-VK-N	13.75( .541)	18.55( .730)	16.35( .644)	1,100	660
13	13FE-BT-VK-N	13FE-ST-VK-N	15.00( .591)	19.80( .780)	17.60( .693)	1,000	600
14	14FE-BT-VK-N	14FE-ST-VK-N	16.25( .640)	21.05( .829)	18.85( .742)	950	570
15	15FE-BT-VK-N	15FE-ST-VK-N	17.50( .689)	22.30( .878)	20.10( .791)	900	540
16	16FE-BT-VK-N	16FE-ST-VK-N	18.75( .738)	23.55( .927)	21.35( .841)	850	510
17	17FE-BT-VK-N	17FE-ST-VK-N	20.00( .787)	24.80( .976)	22.60( .890)	800	480
18	18FE-BT-VK-N	18FE-ST-VK-N	21.25( .837)	26.05(1.026)	23.85( .939)	750	450
19	19FE-BT-VK-N	19FE-ST-VK-N	22.50( .886)	27.30(1.075)	25.10( .988)	700	420
20	20FE-BT-VK-N	20FE-ST-VK-N	23.75( .935)	28.55(1.124)	26.35(1.037)	700	420
21	21FE-BT-VK-N	21FE-ST-VK-N	25.00( .984)	29.80(1.173)	27.60(1.087)	650	390
22	22FE-BT-VK-N	22FE-ST-VK-N	26.25(1.033)	31.05(1.222)	28.85(1.136)	650	390
23	23FE-BT-VK-N	23FE-ST-VK-N	27.50(1.083)	32.30(1.272)	30.10(1.185)	600	360
24	24FE-BT-VK-N	24FE-ST-VK-N	28.75(1.132)	33.55(1.321)	31.35(1.234)	600	360
25	25FE-BT-VK-N	25FE-ST-VK-N	30.00(1.181)	34.80(1.370)	32.60(1.283)	550	330
26	26FE-BT-VK-N	26FE-ST-VK-N	31.25(1.230)	36.05(1.419)	33.85(1.333)	550	330
27	27FE-BT-VK-N	27FE-ST-VK-N	32.50(1.280)	37.30(1.469)	35.10(1.382)	500	300
28	28FE-BT-VK-N	28FE-ST-VK-N	33.75(1.329)	38.55(1.518)	36.35(1.431)	500	300
29	29FE-BT-VK-N	29FE-ST-VK-N	35.00(1.378)	39.80(1.567)	37.60(1.480)	500	300
30	30FE-BT-VK-N	30FE-ST-VK-N	36.25(1.427)	41.05(1.616)	38.85(1.530)	450	270
31	31FE-BT-VK-N	31FE-ST-VK-N	37.50(1.476)	42.30(1.665)	40.10(1.579)	450	270
32	32FE-BT-VK-N	32FE-ST-VK-N	38.75(1.526)	43.55(1.715)	41.35(1.628)	450	270
33	33FE-BT-VK-N	33FE-ST-VK-N	40.00(1.575)	44.80(1.764)	42.60(1.677)	450	270
35	35FE-BT-VK-N	35FE-ST-VK-N	42.50(1.673)	47.30(1.862)	45.10(1.776)	450	240

### Material and Finish

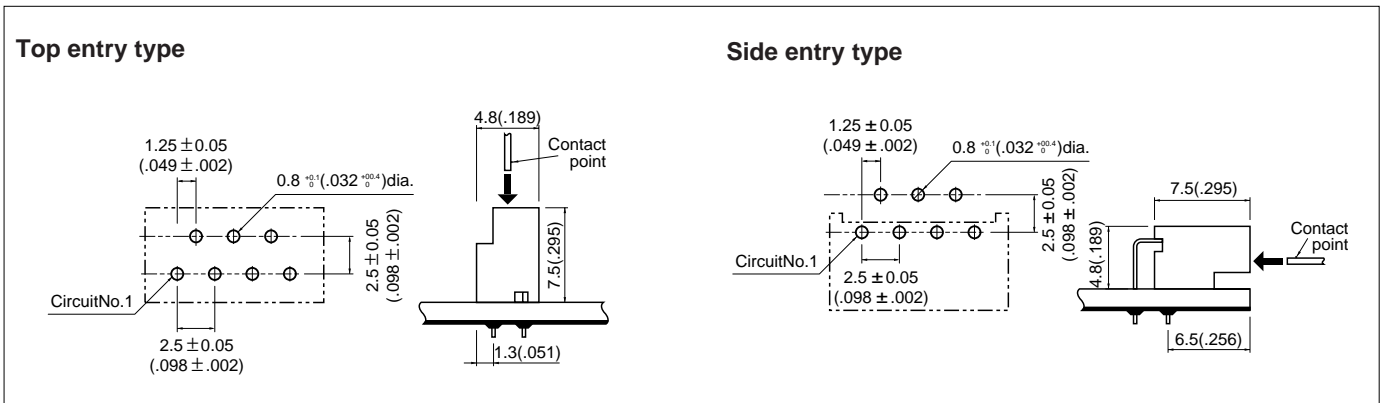
Contact: copper alloy, tin-plated (uflow-treatment)  
Housing: PBT, UL94V-0, natural (white)

# FE CONNECTOR

## Lead section dimensions of FFC and FPC



## PC board layout (viewed from component side) and Assembly layout



**Note:**

1. Tolerances are non-cumulative:  $\pm 0.05\text{mm} (\pm .002")$  for all centers.
2. Hole dimensions differ according to the kind of PC board and piercing method. The dimensions above should serve as a guideline. Contact JST for details.