

SPECIFICATION

Model Number: FBULS1612A-T-25

Product : Ultrasonic sensor

Document Number: Revision:

Approval Signature Date

Title Company Name

Customer Approval _____
Signature Date

Title Company Name

NINGBO BEST GROUP CO., Ltd.

<http://www.fbele.com> sales@fbele.com

SPECIFICATIONS

Model No.

FBULS1612A-T-25

Page

1/4

1. SCOPE

This specification applies Ultrasonic sensor FBULS1612A-T-25

2.Characteristics

- 1.1) Open structure and separate use
- 1.2) Compact and light weight. High reliability
- 1.3) High sensitivity and sound pressure
- 1.4) Less power consumption
- 1.5) RoHS compliance

3. Technical terms

No.	Item	Unit	Specification
1	structure		Open
2	Using method		Transmitter
3	Nominal Frequency	Hz	25K
4	S P L for transmitter	dB	Type 115(30V/30cm/sine wave)
5	Directivity		80deg
6	Capacitance	pF	2300±20%@1KHz
7	Storage Temperature	°C	-30....+85
8	Operating Temperature	°C	-30....+85
9	Housing material		AL
10	Diameter	mm	16

		2014-2-13			
Issue No	Description	Date	Issue	Check	Approval

SPECIFICATIONS

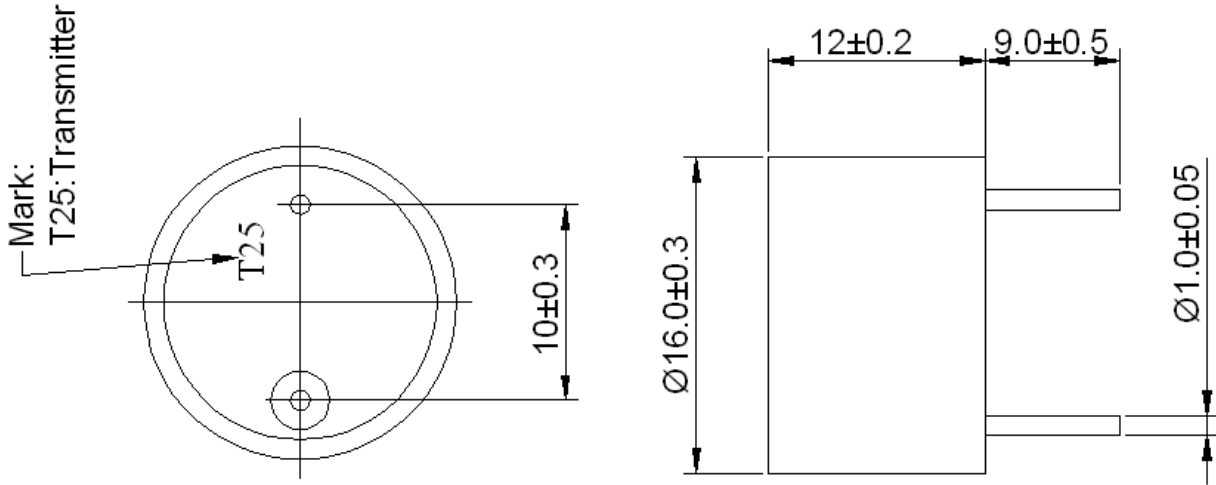
Model No.

FBULS1612A-T-25

Page

2/4

4. Drawing



Tolerance general unless otherwise specified: ± 0.3 mm

unit: mm

		2014-2-13			
Issue No	Description	Date	Issue	Check	Approval

SPECIFICATIONS

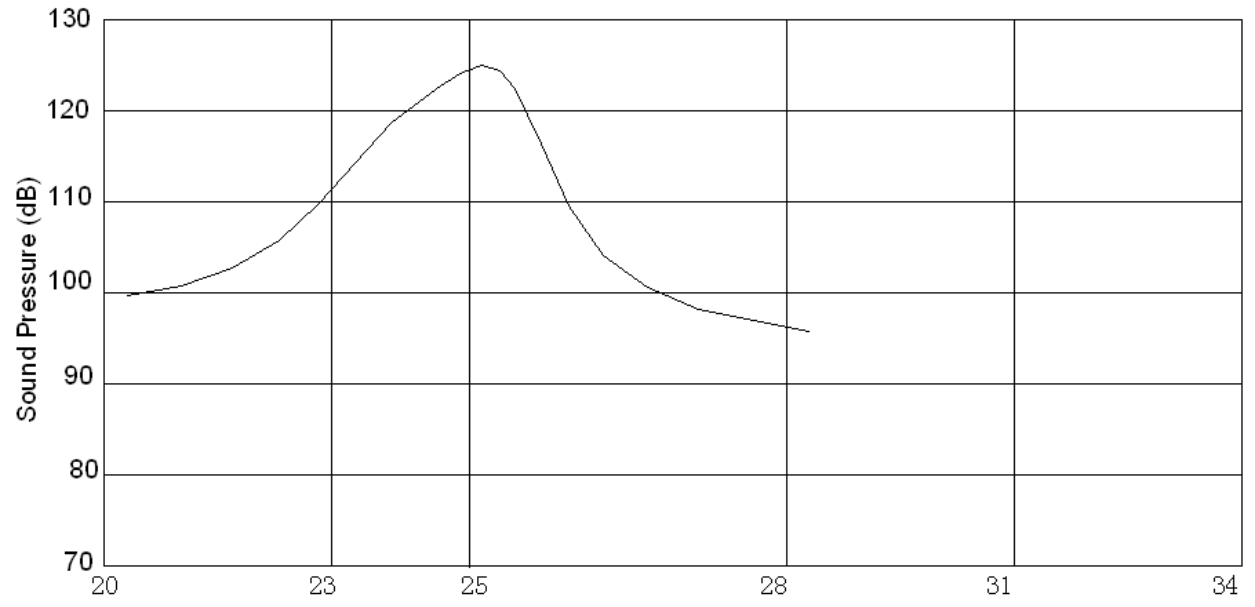
Model No.

FBULS1612A-T-25

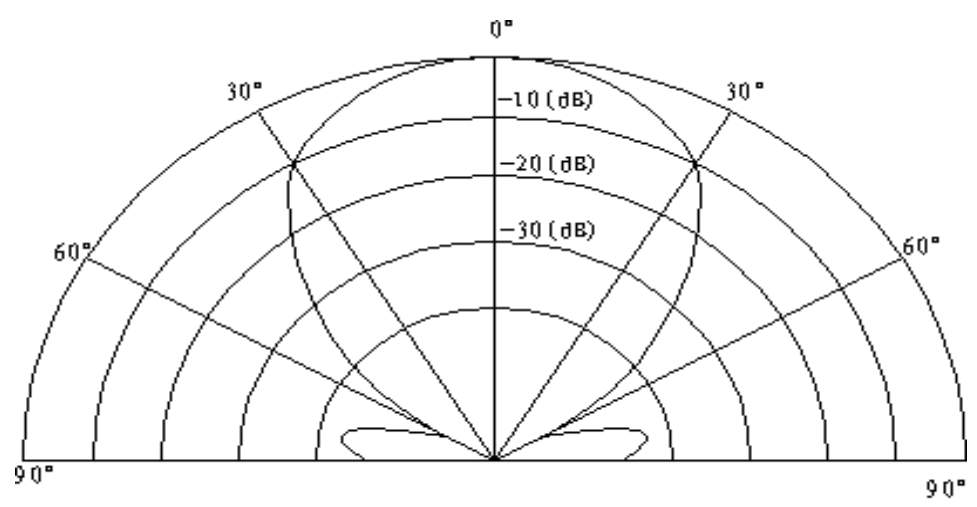
Page

3/4

5. Beam Pattern



SPL-Freq.Characteristics(transmitter)



Directivity in Overall Sensitivity

		2014-2-13			
Issue No	Description	Date	Issue	Check	Approval

SPECIFICATIONS

Model No.

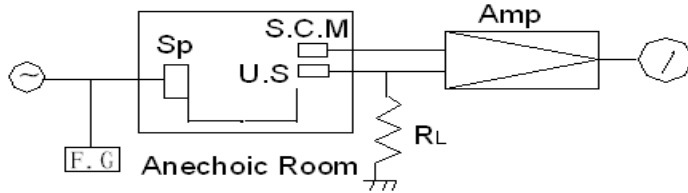
FBULS1612A-T-25

Page

4/4

6. Test Circuit

Receiver



RL: $3.9K\Omega$

U.S : Ultrasonic Sensor

S.C.M: Standard Capparitor Microphone

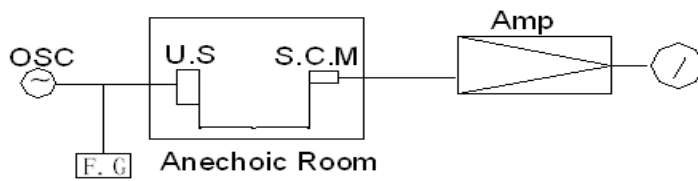
Amp. : Amplifier

OSC. : Oscillator

Sp : Tweeter

F.C : Frequency Counter

Transmitter



U.S : Ultrasonic Sensor

S.C.M: Standard Capparitor Microphone

Amp. : Amplifier

Input voltage: 10Vrms

F.C : Frequency Counter

Issue No	Description	Date	Issue	Check	Approval