

Recommended P.C.B. Layout(Component Side)
(PCB Board Tolerance±0.05)

△△ SPECIFICATION

1.General Characteristics:

SIM Card Drawer Type 06P SMT 90° With Switch
H=3.0mm Row Pitch=23.2 Selective Gold Flash

△△ 2.Material&Finish:

- ① Base:LCP(UL94V-0),Black
- ② Data Contact:C5210,Gold Flash On Contact Area,Tin Plated On Solder Tails,Over Nickel
- ③ Spring:SWP
- ④ Push Rod:Stainless Steel
- ⑤ Roller:Stainless Steel
- ⑥ Toggle Lever:SUS304,Nickel Plated
- ⑦ Handle:PA6T(UL94V-0),Yellow
- ⑧ Switch Pin:C5210,Gold Flash On Contact Area, Tin Plated On Solder Tails,Over Nickel
- ⑨ Cover:PBT(UL94V-0),Black
- ⑩ Flake:C5210,Gold Plated Over All

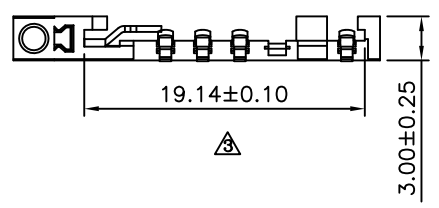
3.Electrical Characteristics:

Current Rating:0.5 Amp Max.
Dielectric Withstanding:500V AC For One Minute
Contact Resistance:30 Milliohms Max.
Insulation Resistance:1000 Megaohms Min. At DC 500V

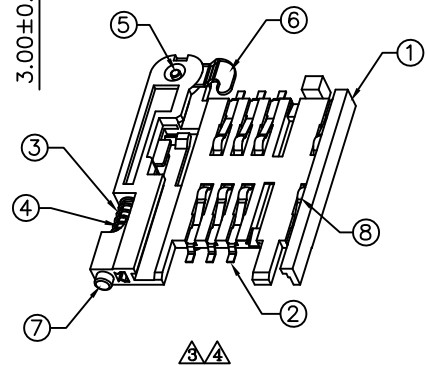
4.Environmental Characteristics:

Operation Temperature:-40°C~+85°C

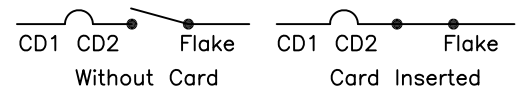
5.RoHS Compliant



Pin No.	Name
C1	Vcc
C2	RST
C3	CLK
C4	RFU
C5	GND
C6	Vpp
C7	I/O
C8	RFU



Electric Function	Detect Switch
Without Card	Open
Card Inserted	Closed



△△ Switch Operation Diagram

SC	S	W	06	D	30	-	020	B	-	H
(1)	(2)	(3)	(4)	(5)	(6)	(7)	(8)	(9)		(9)

- (1) SC:Smart Card/SIM Card
- (2) S:Drawer Type
- (3) W:SMT Right Angle
- (4) 06:No. Of Position
- (5) D:Row Pitch=D Type
- (6) 30:Base Height 3.0mm
- (7) 020:Gold Flash On Contact Area,Tin Plated On Solder Tails,Over Nickel
- (8) B:Without Post & With Switch
- (9) H:RoHS Compliant



CATEGORY		APPROVED BY		UNLESS OTHERWISE SPECIFIED TOLERANCES ARE .X ±0.30 .XX ±0.20 .XXX ±0.10 ANG. ±3°	REVISIONS		CHK	DATE
PART No.	SCS-W06D30-020B-H	CHECKED BY	MEI		A4	Modify Data	HZF	12/08/2015
DRAWING No.	SCS-W06D30-020B-H	DRAWING BY	HZF		A3	Modify P/N:SCS-W06D36-020B-H -> SCS-W06D30-020B-H	HZF	03/11/2014
SCALE	NONE	REV.	HAO		A2	Add "Cover:PBT"	HZF	10/18/2011
				A1	Modify Data	HZF	06/14/2011	
				A0	NEW RELEASE	HZF	06/14/2009	
				NO.REV.	REVISIONS	CHK	DATE	

