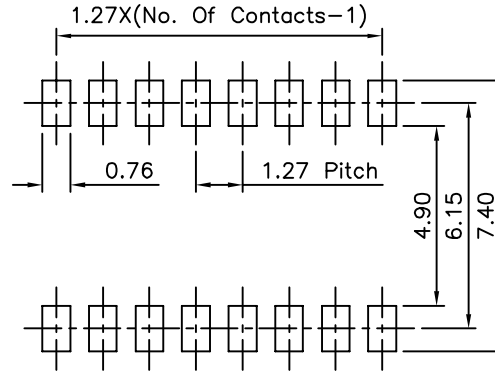
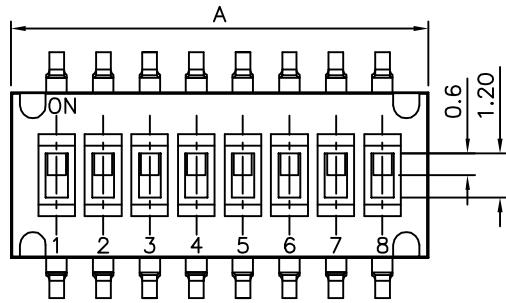


**SPECIFICATION**

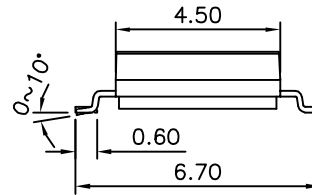
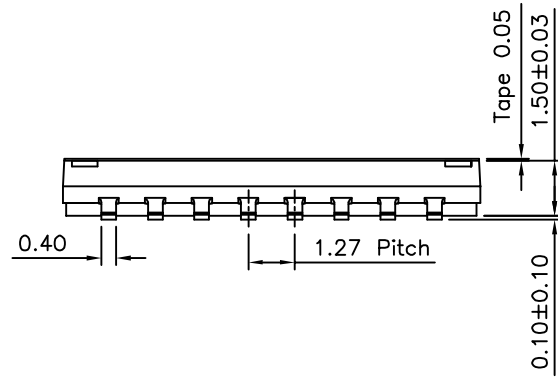
Current Range:  
 Non-Switching:100mA 50V DC  
 Switching:25mA 24V DC  
 Dielectric Withstanding Voltage:300V AC For One Minute  
 Contact Resistance:100 Milliohms Max.(Initial)  
 Insulation Resistance:100 Megaohms Min.  
 At 500V DC,60s±5s  
 Operation Temperature Range:-40°C~+85°C  
 Storage Temperature Range:-40°C~+85°C  
 Capacitance:5pF Max. At 1 MHz±10 KHz  
 RoHS Compliant

HSW XX S V R C - R4K - H  
 (1) (2) (3) (4) (5) (6) (7) (8)

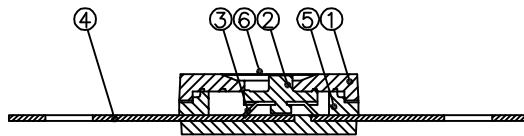
- (1) HSW:1.27mm DIP Switch
- (2) XX:No. Of Position
- (3) S:Slide Type
- (4) V:SMT Straight
- (5) R:Recessed Actuator
- (6) C:With Mylar
- (7) R4K:Tape & Reel 4000 PCS/Reel
- (8) H:RoHS Compliant



Recommended P.C.B. Layout



Pin	A
2	3.77
4	6.31
6	8.85
8	11.39
10	13.93



Item	Description	Q'ty	Material	Remark
①	Cover	1	HTN,UL94V-0	Black
②	Actuator		LCP	White
③	Contact		Phosphor Bronze	Gold Plated Over Nickel
④	Terminal		Brass	Gold Plated Over Nickel
⑤	Base	1	HTN,UL94V-0	Black
⑥	Tape		Katpon	

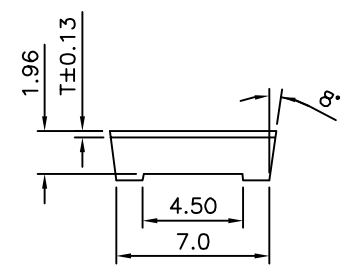
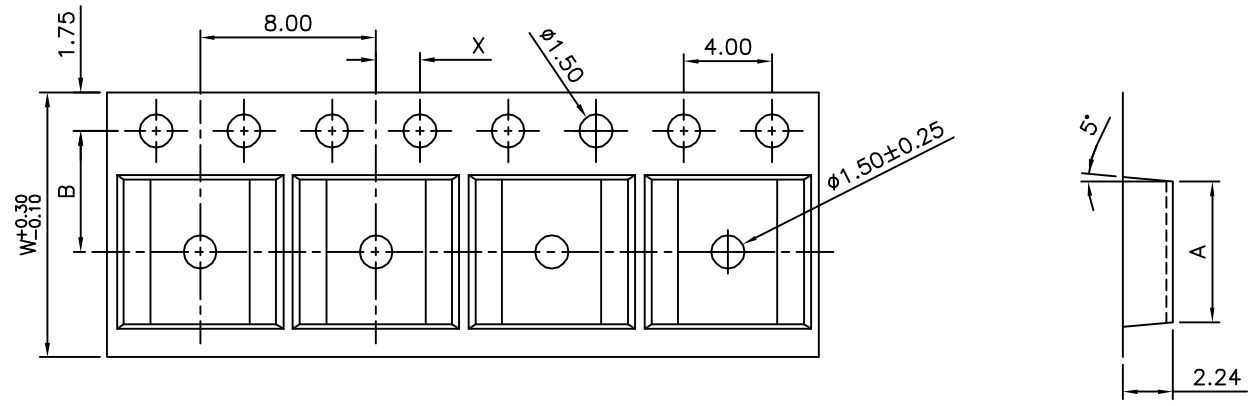
**AUK** A MEMBER OF AUK GROUP  
**太聯事業股份有限公司**  
**AUK CONTRACTORS CO., LTD.**

CATEGORY		APPROVED BY EMILY	
PART No. HSWXXSVRC-R4K-H		CHECKED BY HZF	
DRAWING No. HSWXXSVRC-R4K-H		DRAWING BY SONG	
SCALE	NONE	REV.	A0

UNLESS OTHERWISE SPECIFIED TOLERANCES ARE  
 .X ±0.2  
 .XX ±0.2  
 .XXX ±0.2  
 ANG.

UNIT	mm	NO.	REV.	DESCRIPTION	CHK	DATE
		△ A0		NEW RELEASE	HZF	08/07/2013
				REVISIONS		

**SPECIFICATION**  
 Q'ty:4000 PCS/Reel  
 Pitch Tolerance Over Any 10 Pitch:±0.20  
 RoHS Compliant



Pin	W	A	B	X	T	Cover
02	12.0	4.20	5.50	2.00±0.05	0.229	9.3
04		6.60			0.292	
06	24.0	9.20	11.50	2.00±0.10	0.305	21.3
08		11.70			0.330	
10		14.40			0.305	

**AUK** A MEMBER OF AUK GROUP  
**太聯事業股份有限公司**  
**AUK CONTRACTORS CO., LTD.**

CATEGORY		APPROVED BY	
PART No. HSWXXSVRC-R4K-H		EMILY	
DRAWING No. HSWXXSVRC-R4K-H		CHECKED BY HZF	
SCALE		DRAWING BY SONG	
NONE	REV.	A0	UNIT
			mm

UNLESS OTHERWISE SPECIFIED TOLERANCES ARE  
 .X ±0.1  
 .XX ±0.1  
 .XXX ±0.1

NO.	REV.	REVISIONS	CHK	DATE
△ A0		NEW RELEASE	HZF	08/07/2013