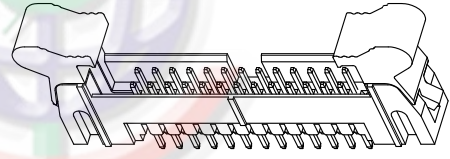
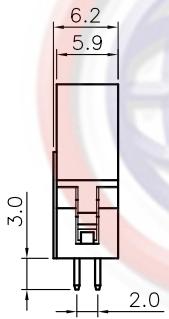
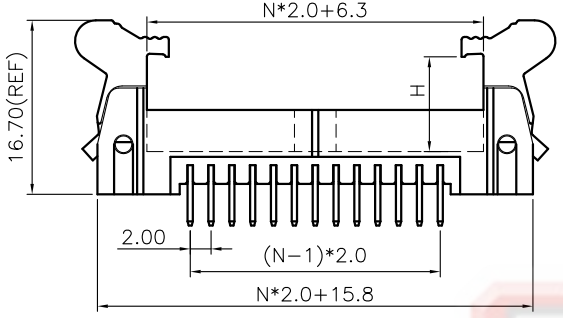
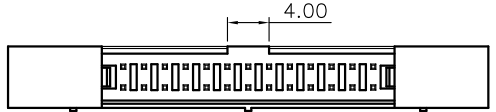


The information provided herein is from CONNELY Electronic Co., Ltd. and is confidential. Any disclosure to a party other than the recipient is prohibited. The intellectual properties and its rights contained herein, including but not limited to, trademarks, patents, copyrights, trade secrets, and technical know-how, are owned exclusively by CONNELY or its affiliates. Unauthorized use of this information in any format or manner, CONNELY may enforce its intellectual property rights at its own discretion; failures or delays to exercise such rights does not constitute a waiver of such rights.

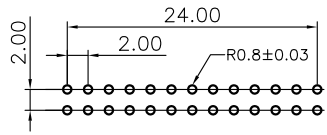
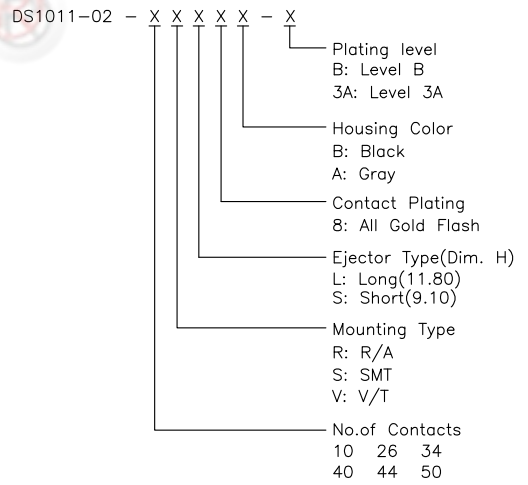
1 2 3 4 5 6 7 8

REV.	DESCRIPTION	DRAWN	CHECKED	APPROVED
A	NEW RELEASE	YCH 04/10/08'		LJC 04/10/08'
B	DRAWING UPDATE	JLZ 12/03/16'	HZW 12/03/16'	LJC 12/03/16'
C	DRAWING UPDATE	JLZ 08/22/18'		

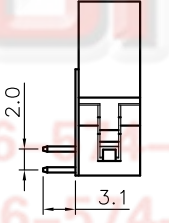


NOTES:

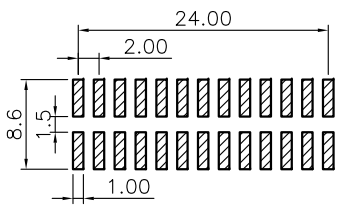
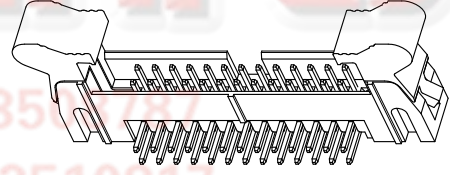
- MATERIALS
 - Contact: copper alloy
 - Insulation: Thermoplastic(UL94 V-0)
- SPECIFICATION
 - Storage Temperature: -40°C~+105°C
 - Contact Resistance: 20mΩ max.(initial)
 - Insulation Resistance: 1,000MΩ min
 - Dielectric Withstanding Voltage: AC 500V Per Minute
- PRODUCT NUMBER CODE:



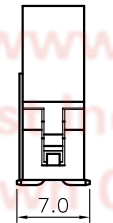
DIP P.C.Board Layout
(TOLERANCE=±0.05)



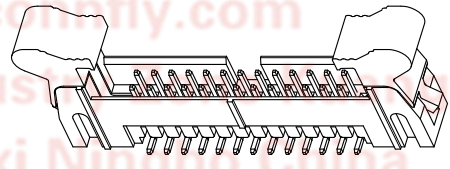
R/A TYPE



SMT P.C.Board Layout
(TOLERANCE=±0.05)



SMT TYPE



GENERAL TOLERANCE		ANGLE TOLERANCE	
X.	±0.60	X.	±5°
.X	±0.38	.X	±3°
.XX	±0.25	.XX	±2°

DRAWING TYPE	CUSTOMER		
SCALE	1:1	SHEET	1 OF 1
DRAWING NO.	C-DS1011-02-XXXXXX-C		

PROJECTION		TITLE	SHOUEDED HEADER PITCH 2.00mm	
UNITS	mm	SHEET	A4	
SHEET SIZE	A4	SERIES	DS1011-02 SERIES	

晨翔电子有限公司
CONNELY CONNELY ELECTRONIC CO. LTD

1 2 3 4 5 6 7 8