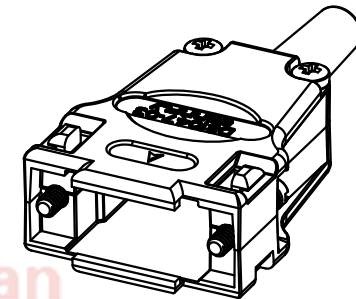
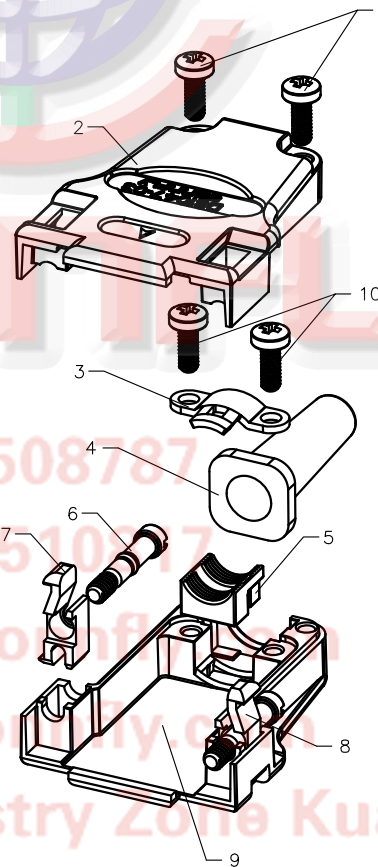
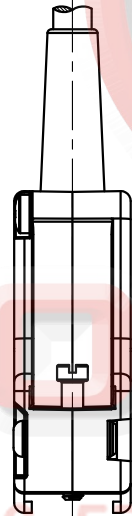
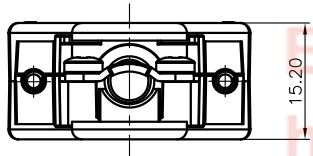
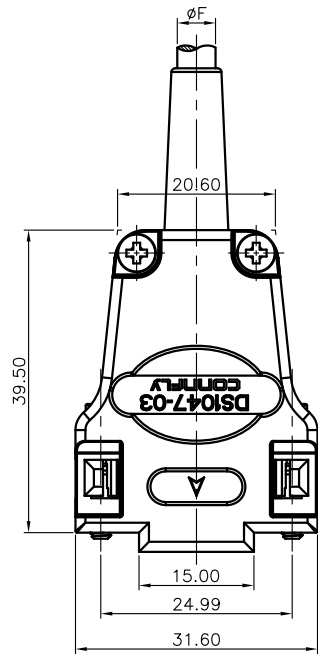


	φF
W/ SR	φ6.5
W/O SR	φ3.0~φ9.5

REV.	DESCRIPTION	DRAWN	CHECKED	APPROVED
A	NEW RELEASE	YCH 03/22/11'	~	LJC 03/22/11'
B	ADD P/N CODE	YCH 12/07/13'	~	LJC 12/07/13'
C	Arrange Drawing	JLZ 08/17/15'	HZW 08/17/15'	LJC 08/17/15'



NOTES:

1. PART NUMBER CODE:

DS1047-03 - 09 X X X - X

- LOGO Support
- X: W/O LOGO
- N/A: CONNFLY LOGO
- SR Support
- S: W/ SR
- X: W/O SR
- Packing type
- 1: Mix packing
- 2: Separation packing
- Cover Material
- M: Metal(Znic alloy)
- Positions
- 09: 9pin

BOM LIST			
ITEM	PART NAME	Q'ty	NOTES
1	SCREW	2	M2.5
2	METAL HOOD-1	1	Znic alloy
3	WASHER	1	
4	SR	1	
5	STRAIN RELIEF	1	
6	BOLT	2	UNC 4-40
7	LATCH-1	1	
8	LATCH-2	1	
9	METAL HOOD-2	1	Znic alloy
10	SCREW	2	M2.5

Tel:86-574-63508787
 Fax:86-574-63510177
 E-mail:sale@connfly.com
 http://www.connfly.com
 Add:East Industry Zone KuangYan
 Town Cixi Ningbo China
 P.C:315333

GENERAL TOLERANCE		ANGLE TOLERANCE	
X.	±0.60	X.	±5°
.X	±0.38	.X	±3°
.XX	±0.25	.XX	±2°

DRAWING TYPE	CUSTOMER		
SCALE	1:1	SHEET	1 OF 1
DRAWING NO.	C-DS1047-03-09XXX-X		

PROJECTION		TITLE	D-SUB 9pin Metal Hoods	
UNITS	mm	Straight Cable Outlet Type		
SHEET SIZE	A4	SERIES	DS1047-03	SERIES

晨翔电子有限公司
CONNFLY® CONNFLY ELECTRONIC CO., LTD

		øF	
TYPE A	W/ SR	ø6.5	
	W/O SR	ø3.0~ø9.5	
TYPE B	W/ SR	ø9.0	
	W/O SR	ø8.5~ø12.5	

REV.	DESCRIPTION	DRAWN	CHECKED	APPROVED
A	NEW RELEASE	YCH 03/22/11'	~	LJC 03/22/11'
B	ADD P/N CODE	YCH 12/07/13'	~	LJC 12/07/13'
C	Arrange Drawing	JLZ 08/17/15'	HZW 08/17/15'	LJC 08/17/15'

NOTES:

1. PART NUMBER CODE:

DS1047-03 - 15 X X X X - X

LOGO Support
X: W/O LOGO
N/A: CONNFLY LOGO

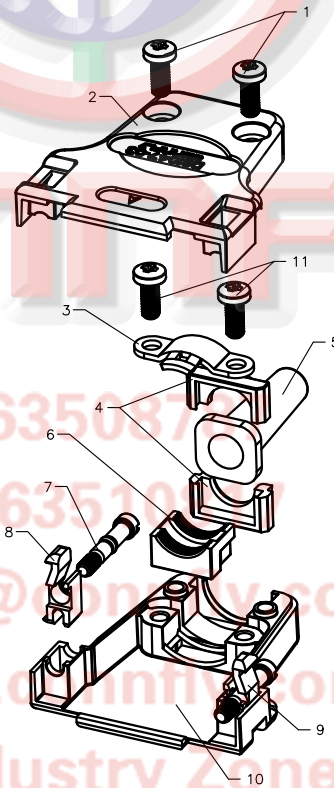
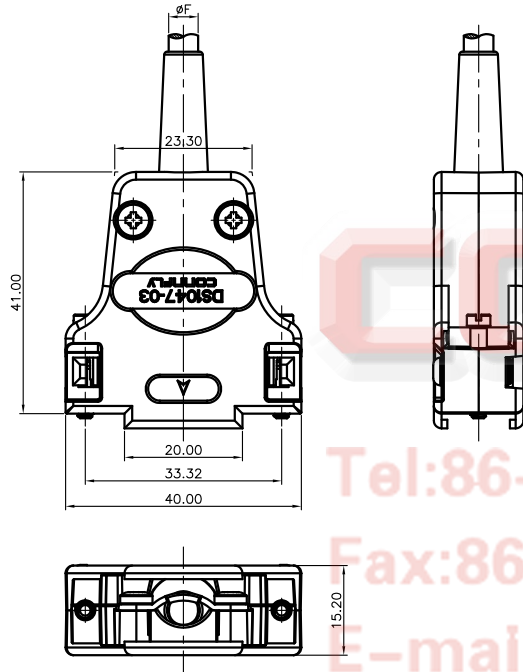
SR Support
S: W/ SR
X: W/O SR

Type Support
A: Type A
B: Type B

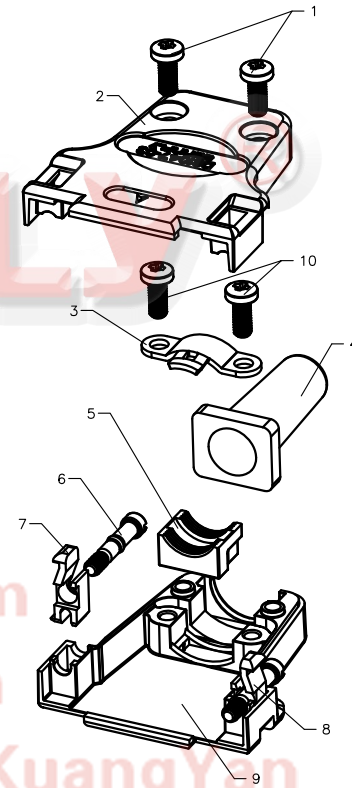
Packing type
1: Mix packing
2: Separation packing

Cover Material
M: Metal(Znic alloy)

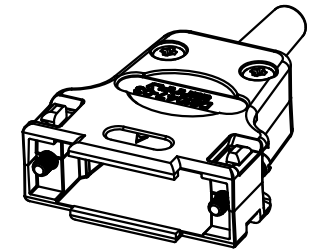
Positions
15: 15pin



TYPE A



TYPE B




ITEM	PART NAME	Q'ty	NOTES
1	SCREW	2	M3
2	METAL HOOD-1	1	Znic alloy
3	WASHER	1	
4	CABLE REDUCTION PLATE	2	
5	SR	1	
6	STRAIN RELIEF	1	
7	BOLT	2	UNC 4-40
8	LATCH-1	1	
9	LATCH-2	1	
10	METAL HOOD-2	1	Znic alloy
11	SCREW	2	M3

ITEM	PART NAME	Q'ty	NOTES
1	SCREW	2	M3
2	METAL HOOD-1	1	Znic alloy
3	WASHER	1	
4	SR	1	
5	STRAIN RELIEF	1	
6	BOLT	2	UNC 4-40
7	LATCH-1	1	
8	LATCH-2	1	
9	METAL HOOD-2	1	Znic alloy
10	SCREW	2	M3

GENERAL TOLERANCE		ANGLE TOLERANCE	
X.	±0.60	X.	±5°
.X	±0.38	.X	±3°
.XX	±0.25	.XX	±2°

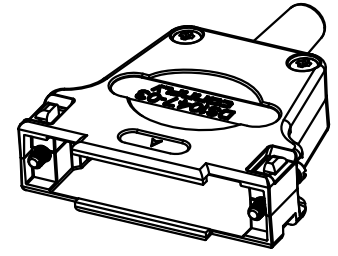
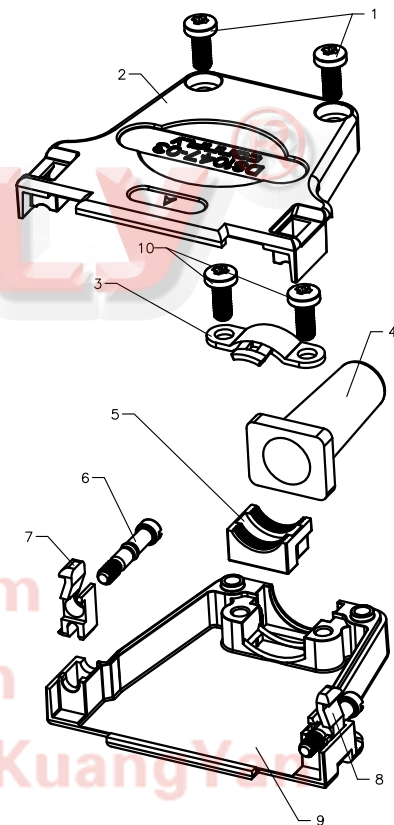
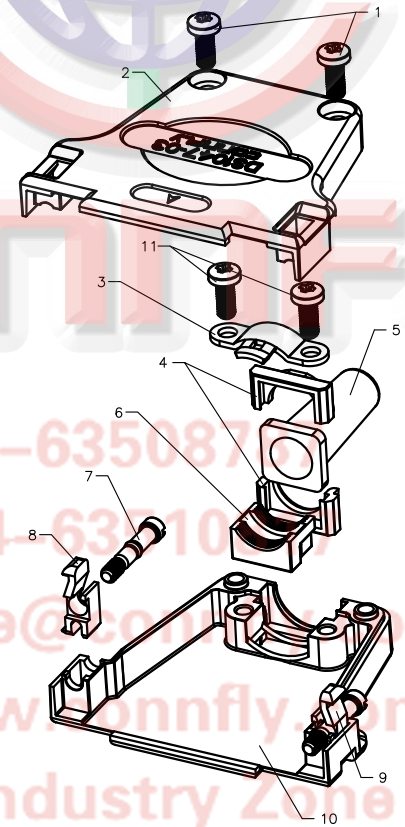
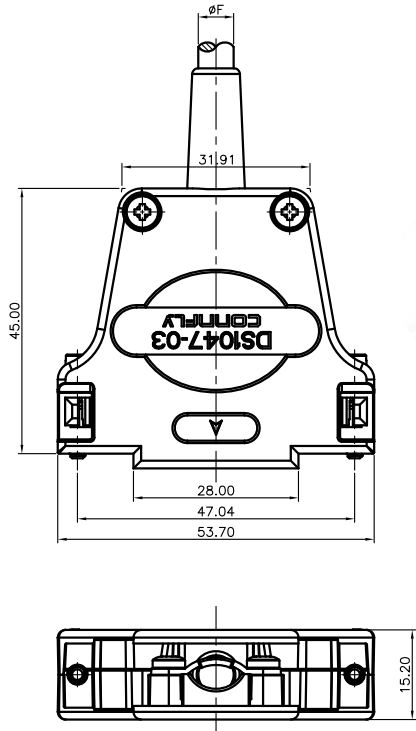
PROJECTION	TITLE	D-SUB 15pin Metal Hoods Straight Cable Outlet Type	
UNITS	mm	SHEET SIZE	A4
SHEET SIZE	A4	SERIES	DS1047-03 SERIES

DRAWING TYPE	CUSTOMER
SCALE	1:1
DRAWING NO.	C-DS1047-03-15XXXX-X


晨翔电子有限公司
CONNFLY® CONNFLY ELECTRONIC CO., LTD

Tel:86-574-6350872
 Fax:86-574-6351987
 E-mail:sale@connfly.com
 http://www.connfly.com
 Add:East Industry Zone KuangYan
 Town Cixi Ningbo China
 151533

		øF	
TYPE A	W/ SR	ø8	
	W/O SR	ø3.0~ø8.5	
TYPE B	W/ SR	ø9.0	
	W/O SR	ø8.5~ø12.5	



REV.	DESCRIPTION	DRAWN	CHECKED	APPROVED
A	NEW RELEASE	YCH 03/22/11'	~	LJC 03/22/11'
B	ADD P/N CODE	YCH 12/07/13'	~	LJC 12/07/13'
C	Arrange Drawing	JLZ 08/17/15'	HZW 08/17/15'	LJC 08/17/15'

NOTES:
 1. PART NUMBER CODE:
 DS1047-03 - 25 X X X X - X

- LOGO Support
- X: W/O LOGO
- N/A: CONNFLY LOGO
- SR Support
- S: W/ SR
- X: W/O SR
- Type Support
- A: Type A
- B: Type B
- Packing type
- 1: Mix packing
- 2: Separation packing
- Cover Material
- M: Metal(Znic alloy)
- Positions
- 25: 25pin

ITEM	PART NAME	Q'ty	NOTES
1	SCREW	2	M3
2	METAL HOOD-1	1	Znic alloy
3	WASHER	1	
4	CABLE REDUCTION PLATE	2	
5	SR	1	
6	STRAIN RELIEF	1	
7	BOLT	2	UNC 4-40
8	LATCH-1	1	
9	LATCH-2	1	
10	METAL HOOD-2	1	Znic alloy
11	SCREW	2	M3

ITEM	PART NAME	Q'ty	NOTES
1	SCREW	2	M3
2	METAL HOOD-1	1	Znic alloy
3	WASHER	1	
4	SR	1	
5	STRAIN RELIEF	1	
6	BOLT	2	UNC 4-40
7	LATCH-1	1	
8	LATCH-2	1	
9	METAL HOOD-2	1	Znic alloy
10	SCREW	2	M3

GENERAL TOLERANCE		ANGLE TOLERANCE	
X.	±0.60	X.	±5°
.X	±0.38	.X	±3°
.XX	±0.25	.XX	±2°

PROJECTION	TITLE	D-SUB 25pin Metal Hoods	
UNITS	mm	Straight Cable Outlet Type	
SHEET SIZE	A4	SERIES	DS1047-03 SERIES

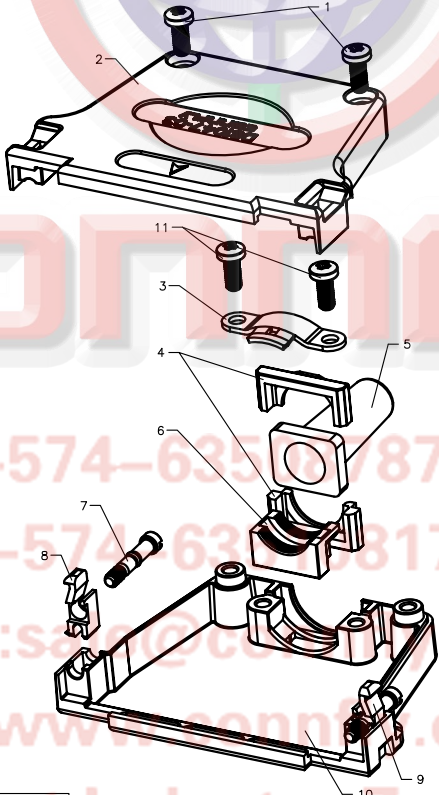
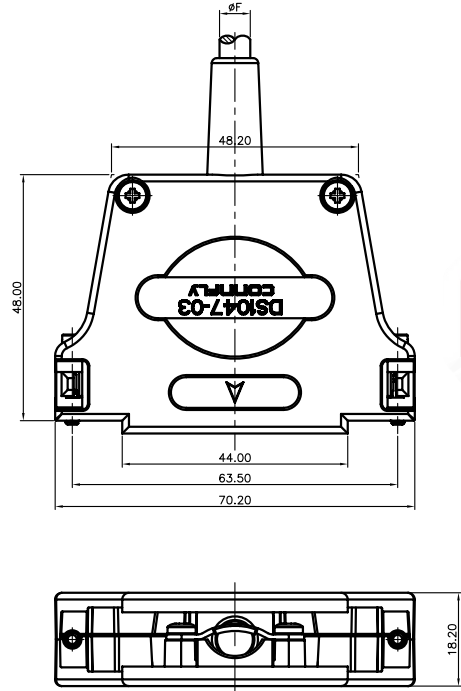
DRAWING TYPE	CUSTOMER
SCALE	1:1 SHEET 1 OF 1
DRAWING NO.	C-DS1047-03-25XXXX-X

晨翔电子有限公司
CONNFLY® CONNFLY ELECTRONIC CO., LTD

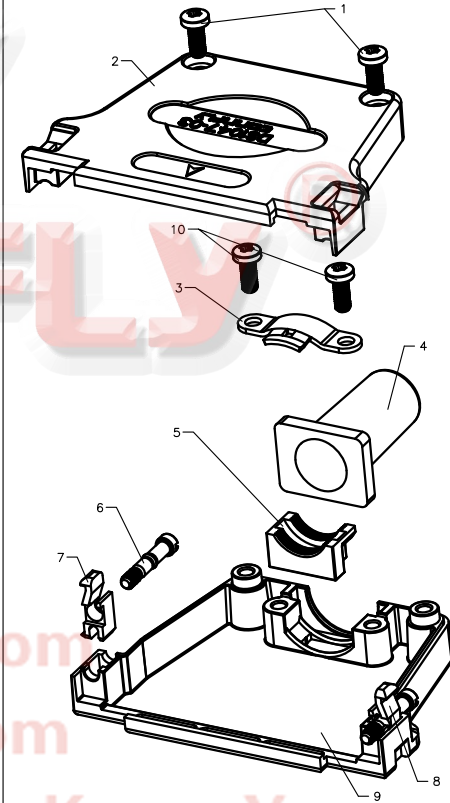
Tel: 86-574-635087
 Fax: 86-574-63110
 E-mail: sale@connfly.com
 http://www.connfly.com
 Add: East Industry Zone Kuang Yang
 Town Cixi Ningbo China
 P.O. 315333

REV.	DESCRIPTION	DRAWN	CHECKED	APPROVED
A	NEW RELEASE	YCH 03/22/11'	~	LJC 03/22/11'
B	ADD P/N CODE	YCH 12/07/13'	~	LJC 12/07/13'
C	Arrange Drawing	JLZ 08/17/15'	HZW 08/17/15'	LJC 08/17/15'

		øF	
TYPE A	W/ SR	ø9	
	W/O SR	ø3.0~ø12.0	
TYPE B	W/ SR	ø11.5	
	W/O SR	ø12.0~ø15.0	



TYPE A



TYPE B

NOTES:
 1. PART NUMBER CODE:
 DS1047-03 - 37 X X X X - X

- LOGO Support
- X: W/O LOGO
- N/A: CONNFLY LOGO
- SR Support
- S: W/ SR
- X: W/O SR
- Type Support
- A: Type A
- B: Type B
- Packing type
- 1: Mix packing
- 2: Separation packing
- Cover Material
- M: Metal(Znic alloy)
- Positions
- 37: 37pin

ITEM	PART NAME	Q'ty	NOTES
1	SCREW	2	M3
2	METAL HOOD-1	1	Znic alloy
3	WASHER	1	
4	CABLE REDUCTION PLATE	2	
5	SR	1	
6	STRAIN RELIEF	1	
7	BOLT	2	UNC 4-40
8	LATCH-1	1	
9	LATCH-2	1	
10	METAL HOOD-2	1	Znic alloy
11	SCREW	2	M3

ITEM	PART NAME	Q'ty	NOTES
1	SCREW	2	M3
2	METAL HOOD-1	1	Znic alloy
3	WASHER	1	
4	SR	1	
5	STRAIN RELIEF	1	
6	BOLT	2	UNC 4-40
7	LATCH-1	1	
8	LATCH-2	1	
9	METAL HOOD-2	1	Znic alloy
10	SCREW	2	M3

GENERAL TOLERANCE		ANGLE TOLERANCE	
X.	±0.60	X.	±5°
.X	±0.38	.X	±3°
.XX	±0.25	.XX	±2°

PROJECTION	TITLE	D-SUB 37pin Metal Hoods	
UNITS	mm	Straight Cable Outlet Type	
SHEET SIZE	A4	SERIES	DS1047-03 SERIES

DRAWING TYPE	COSTOMER
SCALE	1:1 SHEET 1 OF 1
DRAWING NO.	C-DS1047-03-37XXXX-X

晨翔电子有限公司
CONNFLY® CONNFLY ELECTRONIC CO., LTD

Tel:86-574-6350787
 Fax:86-574-6350817
 E-mail:sales@connfly.com
 http://www.connfly.com
 Ningbo Cixi Town Cixi Ningbo China
 East Industry Zone KuangYan