

REV.	DESCRIPTION	DRAWN	CHECKED	APPROVED
A	NEW RELEASE	YCH 08/18/07'	~	

NOTES:

- ELECTRICAL CHARACTERISTICS:
 - CONTACT RESISTANCE: 20mΩ Max. INITIAL.
 - DIELECTRIC WITHSTANDING VOLTAGE: 500V AC(rms) FOR 1 MINUTE.
 - INSULATION RESISTANCE: 1000MΩ Min.
- ENVIRONMENT CHARACTERISTICS:
 - TEMPERATURE: -40°C~+105°C.
- RESISTANCE TO SOLDERING HEAT: 260±5°C 5±0.5s.
- PRODUCT NUMBER CODE:

DS1034-01- X X X X X X

- SCREW DIM. A
- X: W/O Screw
- 4: 4.80
- 5: 5.80
- SCREW TYPE
- X: W/O Fork
- 3: BR TYPE
- 4: BRJ TYPE (W/O washer)
- 7: BRJ TYPE (W/ washer)
- CONTACT PLATING
- SI: FULL GOLD FLASH
- 0: SELECTIVE GOLD FLASH
- SHELL PLATING
- T: FORNT & BACK SHELL TIN
- N: FORNT SHELL NICKEL, BACK SHELL TIN
- HOUSING COLOR
- B: BLACK
- W: WHITE
- U: BLUE
- CONNECTOR TYPE
- M: MALE
- F: FEMALE
- No. OF CONTACTS
- 09: 9pos.
- 15: 15pos.
- 25: 25pos.
- 37: 37pos.

Dimension

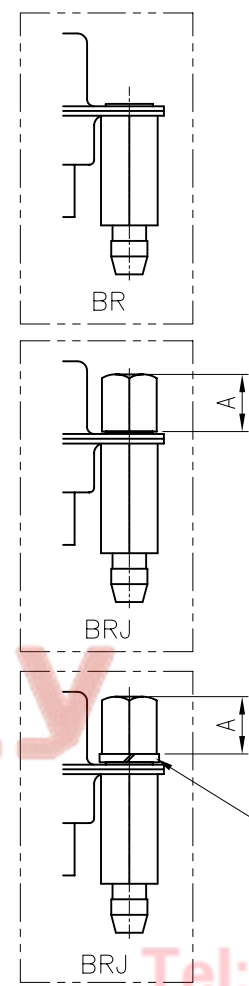
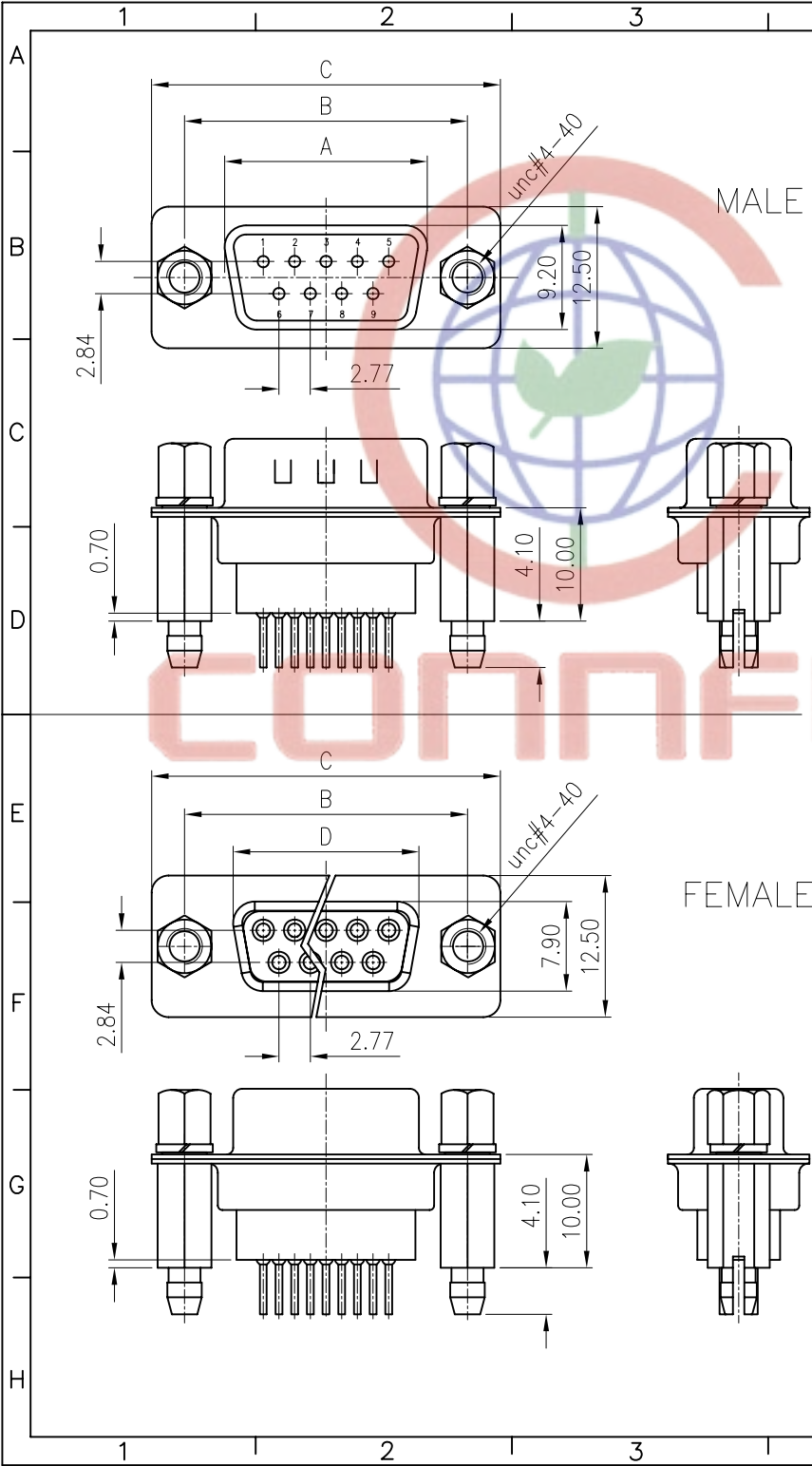
Position	A±0.2	B±0.2	C±0.3	D
9	17.90	24.99	30.80	16.33
15	26.50	33.32	39.14	24.66
25	40.00	47.04	53.04	38.38
37	56.50	63.50	69.32	54.84

GENERAL TOLERANCE		ANGLE TOLERANCE	
X.	±0.60	X.	±5°
.X	±0.38	.X	±3°
.XX	±0.25	.XX	±2°

DRAWING TYPE	CUSTOMER		
SCALE	1:1	SHEET	1 OF 1
DRAWING NO.	C-DS1034-01-XXXXXXX		

PROJECTION	TITLE
UNITS	D-SUB DIP STRAIGHT WITH FORK TYPE
SHEET SIZE	SERIES DS1034-01 SERIES

晨翔电子有限公司
CONNFLY CONNFLY ELECTRONIC CO. LTD



Tel: 86-574-6350878
 Fax: 86-574-6351087
 Email: sale@zhenqiang.com.cn
 http://www.connfly.com
 Add: East Industry Zone, Kuangyan Town, Ningbo, China
 P.C: 315333