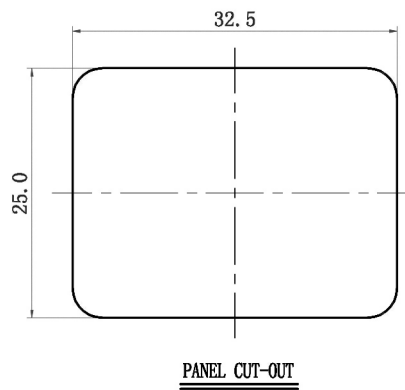
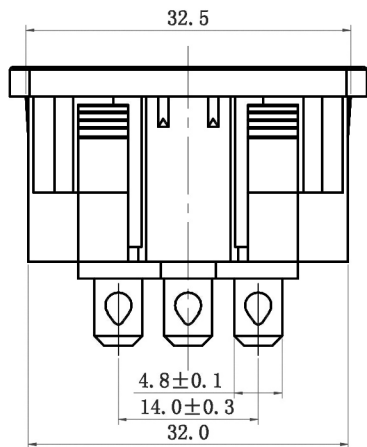
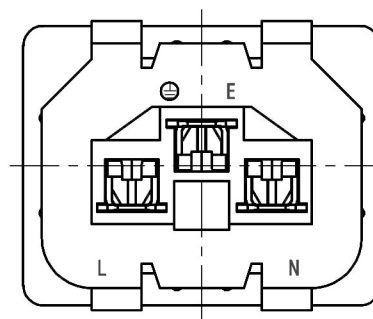
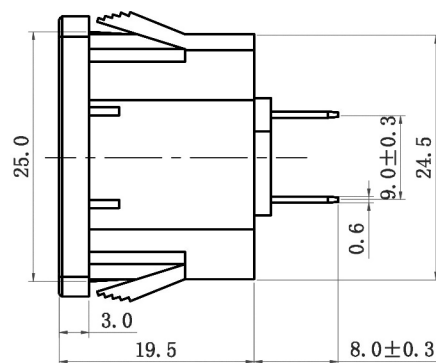
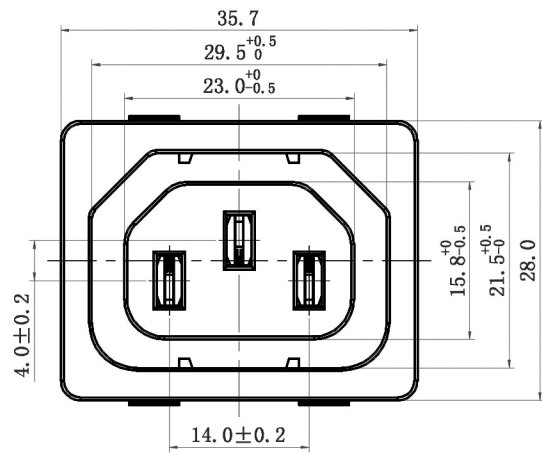


**RoHS
Compliant
Drawing For
Reference Only**



Rating : 10A 250V AC 3C TUV CE KC

Insert And Extract Force: 1.36kgf~6.8kgf

Terminal Strength: ≥80N

Operating Life: ≥5000 cycles

Withstand Voltage: Between all terminals:2500VAC (50-60Hz)1min
terminals to Base:3750V AC (50-60Hz)1min

Leakage Current : 1mA

Insulation Resistance: ≥100MΩ 500V DC

Technical requirement :

1. This product should meet EU RoHS related requirement.
2. The surface of plastic part should be without any crackle such as burr,lack,and so on phenomenon.
3. The surface of metal part should be without any defect such as scaur,nick,oxidation and plating problem.
4. The electronic performance should be the same as spec.
5. The un-specified tolerance is : -6 ± 0.2
6~20± 0.3
>20± 0.4

DCI DRAGON CITY INDUSTRIES LIMITED

Item Name	AC SOCKET	Tolerance :	Design	K.W Law	Remark	Scale
Item No.	AS-240	Unit : mm	Drawing	W.K Yeung	Remark	Material
			Check	K.L Wong	Remark	Drawing No. A402130945
			Approval	K.W Chan	Remark	Sheet