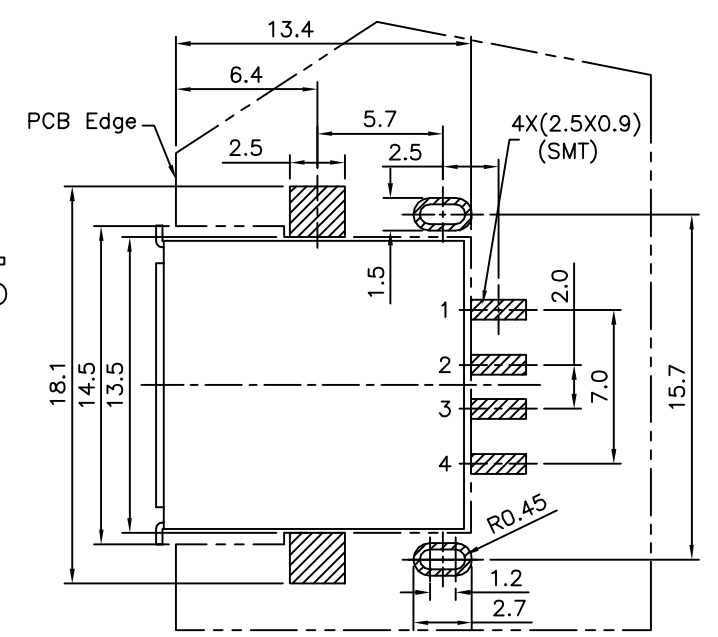
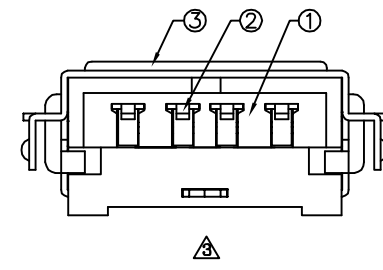


- △△ USB D 1X04 S W - 2 - M - XX - H  
 (1) (2) (3) (4) (5) (6) (7) (8) (9)
- (1) USB:USB Series
  - (2) D:Dent Type
  - (3) 1X04:A Type
  - (4) S:Female
  - (5) W:SMT Right Angle
  - (6) 2:2 Shell Tabs:DIP
  - (7) M:Metal Shell
  - (8) XX:Insulator Color  
Blank:White  
BK:Black
  - (9) H:RoHS Compliant

△ SPECIFICATION  
 Rated Voltage And Current:1.5A At 250V AC Min.  
 Withstand Voltage:750V AC(RMS)  
 For 1 Minute(Rev. 1.1)  
 Contact Resistance:30 Milliohms Max.  
 Insulation Resistance:100 Megaohms Min.  
 At 500V DC  
 Durability(Life Test):1500 Cycles  
 Insertion Force:35N Max.  
 Extraction Force:10N Min.  
 RoHS Compliant



△ Recommended P.C.B. Layout(Top View)

No.	Name	Material	Q'ty	Remark
①	Housing	PA9T+G.F.	1	
△②	Terminal	Phosphor Bronze	4	Gold Flash On Contact Area,Tin Plated On Solder Tails,Over Nickel
△③	Shell	Stainless	1	Nickel Plated

**AUK** A MEMBER OF AUK GROUP  
**太聯事業股份有限公司**  
**AUK CONTRACTORS CO., LTD.**

CATEGORY	APPROVED BY	EMILY
PART No. △△ USB1X04SW-2-M-XX-H	CHECKED BY	HZF
DRAWING No. USB1X04SW-2-M-XX-H	DRAWING BY	SAN
SCALE NONE	REV.	A4

UNLESS OTHERWISE SPECIFIED TOLERANCES ARE  
 X. ±0.38  
 .X ±0.25  
 .XX ±0.13  
 .XXX ±0.05

NO.	REV.	REVISIONS	CHK	DATE
△A4		Modify P/N:USB1X04SW-2-XX-H --> USB1X04SW-2-M-XX-H	HZF	03/27/2014
△A3		Modify Data	HZF	06/20/2013
△A2		Modify Dim	HZF	07/08/2009
△A1		Modify P/N:USB1X04SW-2-H USB1X04SW-2-XX-H	HZF	06/05/2009
△A0		NEW RELEASE	HZF	10/06/2008