

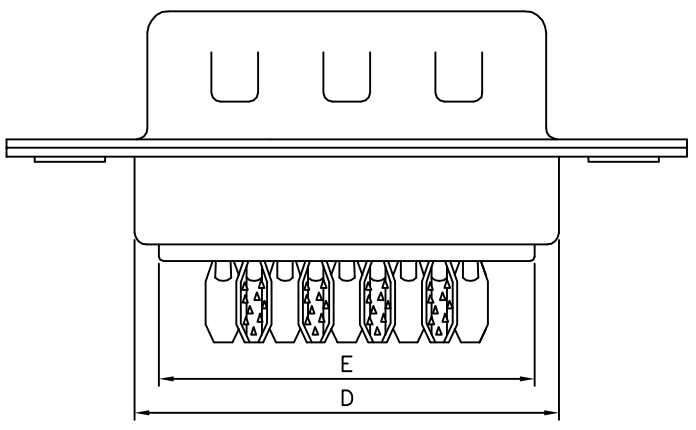
1 2 3

**△ SPECIFICATION**

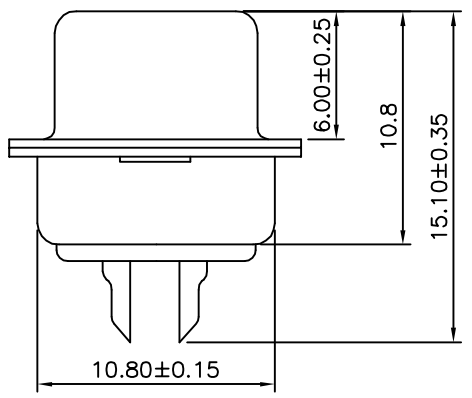
△ Contact Current Rating:1 Amps  
 Dielectric Withstanding Voltage:1000V AC/60s RMS  
 Contact Resistance:25 Milliohms Max.  
 Insulation Resistance:5000 Megaohms Min. At DC 500V  
 Operation Temperature:-55°C~+105°C  
 Contact Insertion Force:300gf Max.  
 Contact Separation Force:25gf Min.  
 Insulator:PBT+30%G.F.(UL94V-0)  
 Contact:Brass,Gold Plated On Contact Area  
 Tin Plated On Solder Tails,Over Nickel  
 Front Shell:Stell,Nickel Plated  
 Rear Shell:Stell,Tin Plated  
 RoHS Compliant

△ DS XX P T - XX - H  
 (1) (2) (3) (4) (5) (6)

- (1) DS:D-SUB Solder Wire Type
- (2) XX:No. Of Position
- (3) P:Male
- (4) T:Tray Packing
- (5) XX:Insulator Color  
 Blank:Blue  
 BK:Black  
 WH:White
- (6) H:RoHS Compliant



△



△

△ Pin	A±0.38	B±0.25	C±0.25	D±0.20	E±0.15
09	30.81	24.99	16.92	19.28	15.60
15	39.14	33.32	25.25	27.65	24.60
25	53.04	47.04	38.96	41.10	37.70
37	69.32	63.50	55.42	57.44	54.50

**AUK** A MEMBER OF AUK GROUP  
**太聯事業股份有限公司**  
**AUK CONTRACTORS CO., LTD.**

CATEGORY		APPROVED BY		UNLESS OTHERWISE SPECIFIED TOLERANCES ARE △ X ±0.35 XX ±0.30 XXX ±0.25 ANG. ±2°
PART No. DSXXPT-XX-H		MEI		
DRAWING No. DSXXPT-XX-H		CYP		
SCALE	NONE	REV.	A3	
UNIT mm		REV. A3		NO. REV.

△ A3	Modify Data	HZF	07/16/2015
△ A2	Modify Data	HZF	05/02/2014
△ A1	Modify Data	HZF	11/18/2013
△ A0	NEW RELEASE	HZF	02/23/2010
NO. REV.	REVISIONS	CHK	DATE