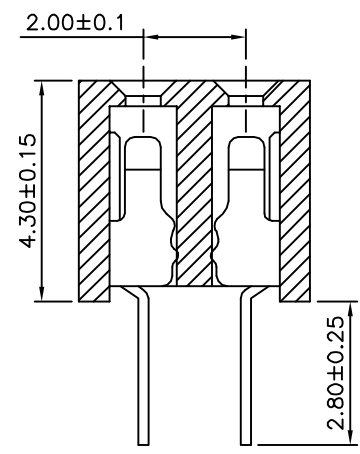
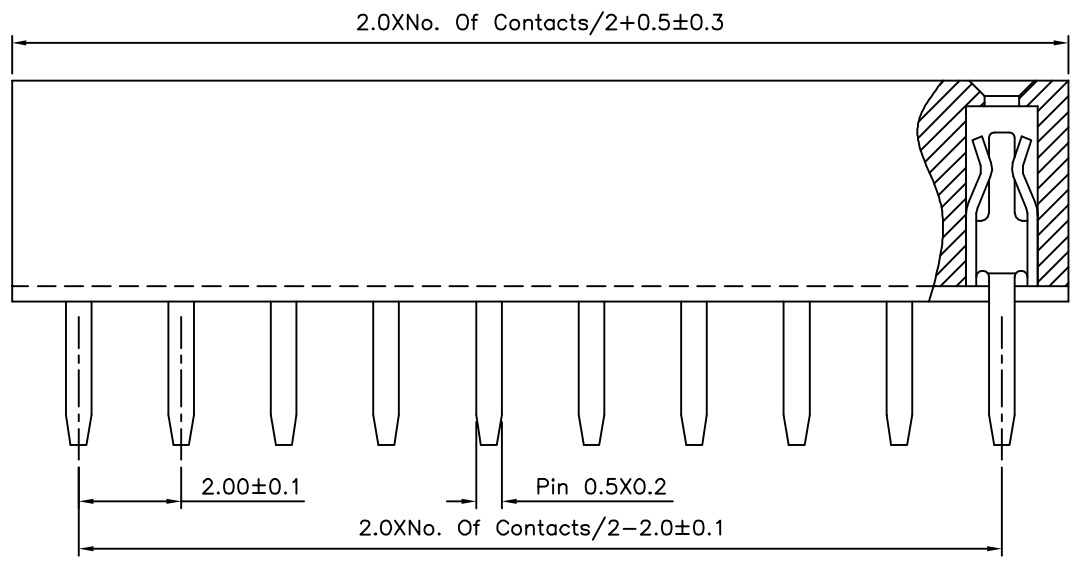
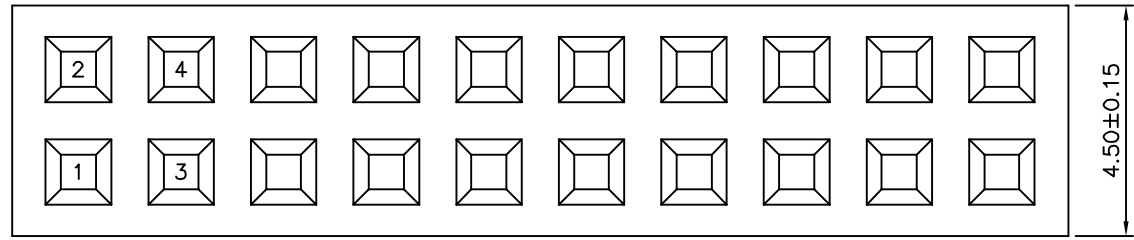


Recommended P.C.B. Layout



SPECIFICATION
 Current Rating:1.5 Amps
 Withstand Voltage:500V AC
 Contact Resistance:20 Milliohms Max.
 Insulation Resistance:1000 Megaohms Min.
 Operation Temperature Range:-40°C~+105°C
 Insulator:PA6T(UL94V-0),Black
 ⚠ Contact:Phosphor Bronze,Gold Plated Over Nickel
 RoHS Compliant

- S D 2 X XX - H H
 (1) (2) (3) (4) (5) (6)
- (1) S:2.0mm Female Header
 - (2) D:DIP Straight
 - (3) 2: Dual Row
 - (4) XX:No. Of Position/Per Row
 - (5) H:Withstand High Temperature Soldering
 - (6) H:RoHS Compliant

AUK A MEMBER OF AUK GROUP
太聯事業股份有限公司
AUK CONTRACTORS CO., LTD.

| | | | | | | | | |
|-----------------------|----|-----------------|----|---|----|--------------|-----|------------|
| CATEGORY | | APPROVED BY | | UNLESS OTHERWISE SPECIFIED TOLERANCES ARE X. ±0.25 X.* ±2* .X ±0.20 .X* ±1.5* .XX ±0.15 .XX* ±1* .XXX ±0.10 .XXX* ±0.5* | | | | |
| PART No. SD2XXX-HH | | MEI | | | | | | |
| DRAWING No. SD2XXX-HH | | CHECKED BY HZF | | | | | | |
| SCALE NONE | | DRAWING BY SONG | | | | | | |
| REV. | A1 | UNIT | mm | NO. REV. | A1 | Modify Spec. | HZF | 04/17/2014 |
| | | | | | A0 | NEW RELEASE | HZF | 12/11/2013 |
| | | | | | | REVISIONS | CHK | DATE |