

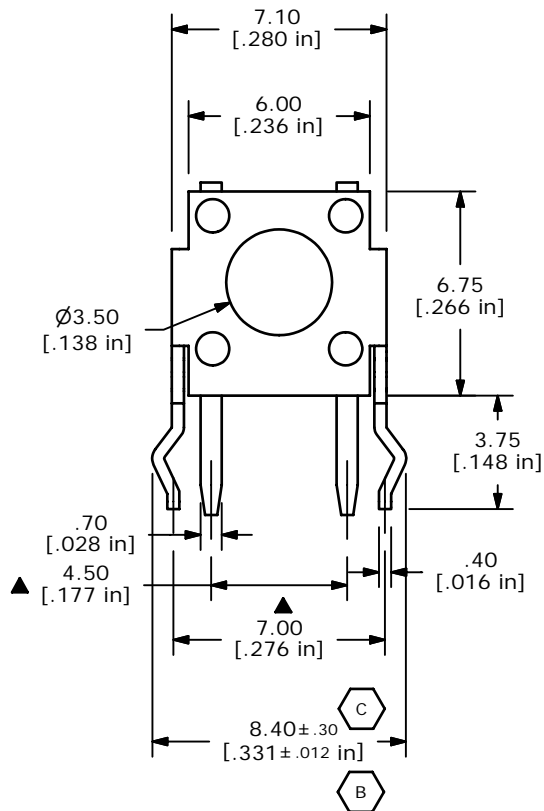
P.C.B. LAYOUT



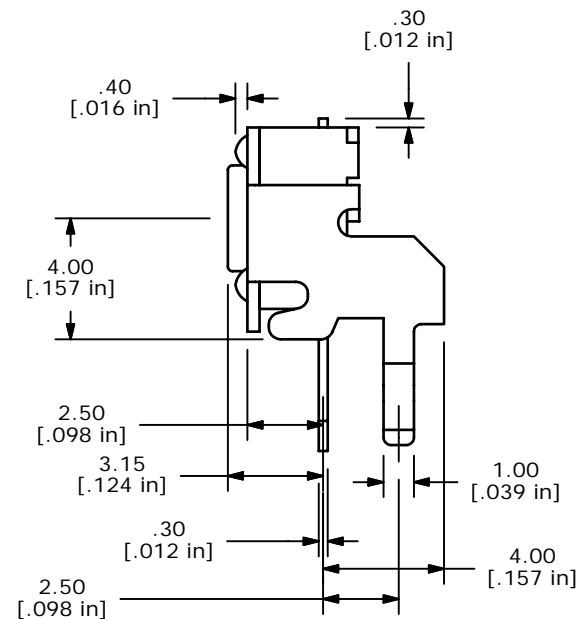
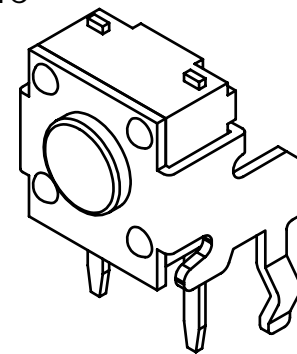
CIRCUIT: SPST

NOTES:

1. ALL DIMENSIONS IN MM
2. GENERAL TOLERANCE: X.X=±0.4
X.XX=±0.25
3. TERM. NOS. FOR REFERENCE ONLY.
4. RATING: 50VDC, 50mA
- ▲ 5. OPERATING FORCE: 160 ± 50 gms
6. TRAVEL: 0.3mm ± 0.15
7. CONTACT RESISTANCE: 100 MILLI OHMS MAX. (INITIAL)
8. MECHANICAL/ELECTRICAL LIFE 100,000 CYCLES MIN.
- ▲ 9. MATERIAL: CONTACTS: SILVER
HOUSING & ACTUATOR: TO MEET UL 94V0
10. ▲ DENOTES CRITICAL PARAMETER
11. 2002/95/EC (ROHS) COMPLIANT



ISOMETRIC



C	19502	CHANGED TOLERANCE	12/07/10	BGL
B	18677	LEG TOLERANCE WAS +/- 0.1	10/9/09	BLR
A	14702	RELEASED FOR PRODUCTION	2/18/05	AR
REV	PCR NO	DESCRIPTION	DATE	BY

TITLE TL1105WF160Q94V0				
SCALE	DATE	DR	DWG	REV
4:1	10/9/2009	BLR	P020232	C

THE INFORMATION CONTAINED IN THIS DOCUMENT IS PROPRIETARY TO E-SWITCH AND IS NOT TO BE COPIED OR TRANSFERRED